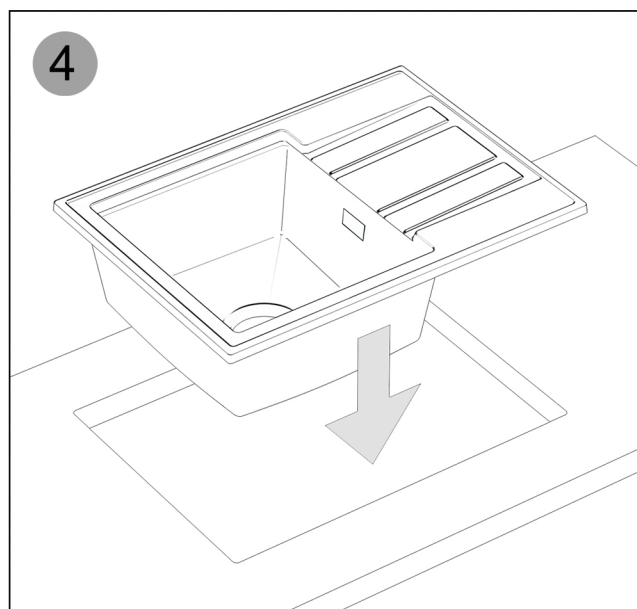
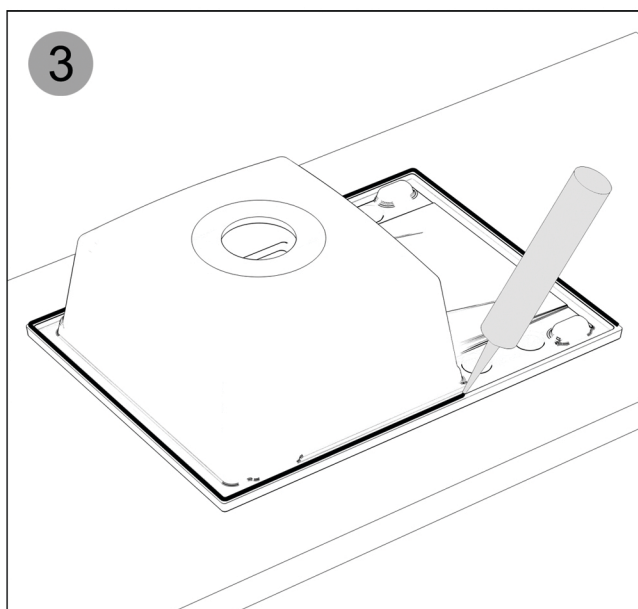
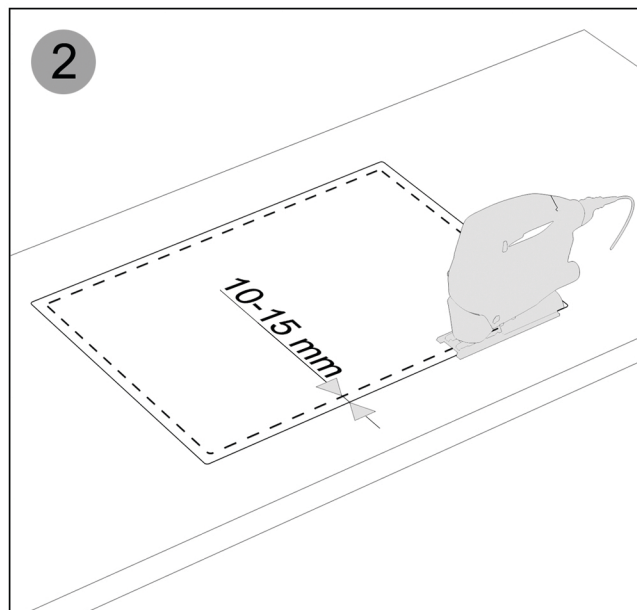
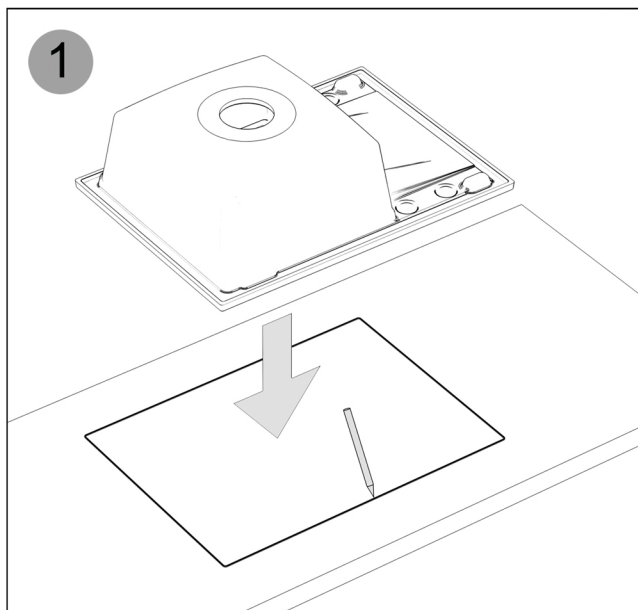


INSTALLATION INSTRUCTIONS FOR TOP-MOUNT SINK



You can easily install the sink on your own in wooden or board countertops. However, if you have composite or stone countertops, you will need the help of specialists to cut the hole for the sink.

- 1 Place the sink upside down on the top surface of the countertop. Check its position in relation to the cabinets, walls, and other immovable objects surrounding it. Then, using a pencil or marker, draw a clear outline of the sink on the countertop - be as precise as possible.
- 2 Based on the outline of the sink, mark the same shape, reducing it by 1 cm (inward), and drill a small hole (on the line of the smaller outline) that will allow you to insert the blade of the jigsaw. Proceed to cut the hole, trying to stay on the inside of the drawn line.
- 3 To properly seal the countertop against moisture and install the sink, apply sanitary silicone to the edges of the sink. You can use a dedicated silicone gun to do this in a precise and straightforward way.
- 4 Place the sink on the clean, dry, and degreased countertop, and then press it down evenly. Gently remove any excess silicone that has leaked out beyond the surface of the sink.
- 5 After the silicone has dried (check the drying time on the packaging), use a dedicated impregnating agent to impregnate the sink.

- Use a dedicated impregnating agent to care for the sink and avoid strong detergents.
- After each use, rinse the sink with warm water and wipe it dry with a cloth or paper towel.
- To maintain the aesthetics of the sink, use the impregnating agent once a week according to the instructions on the packaging.

